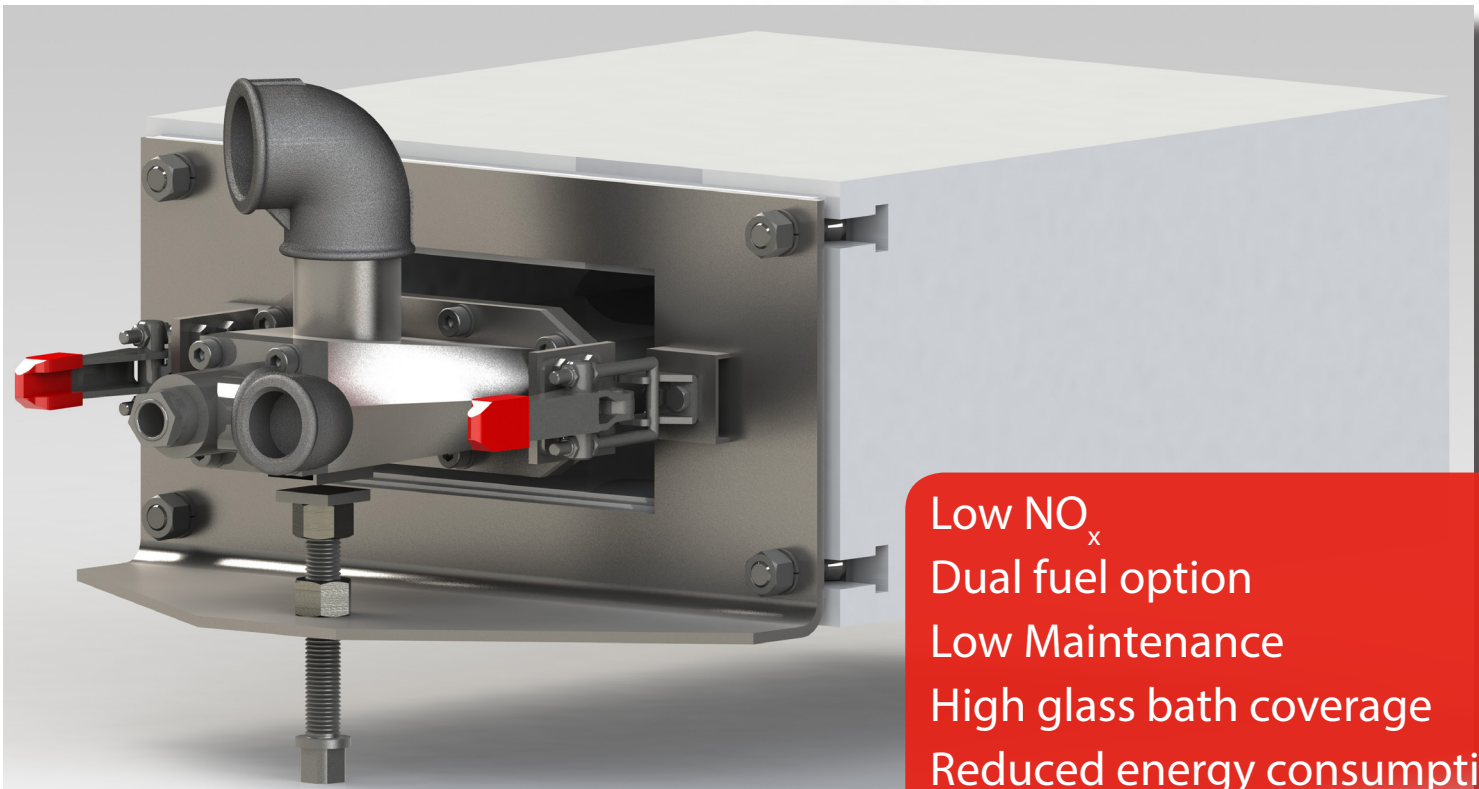


Flat-fire Oxygen Burner - FOB



Low NO_x
Dual fuel option
Low Maintenance
High glass bath coverage
Reduced energy consumption

The Flat-fire Oxygen Burner provides a fish-tail shaped flame giving an excellent glass bath coverage with uniform heat distribution without the risk of overheating the furnace crown.

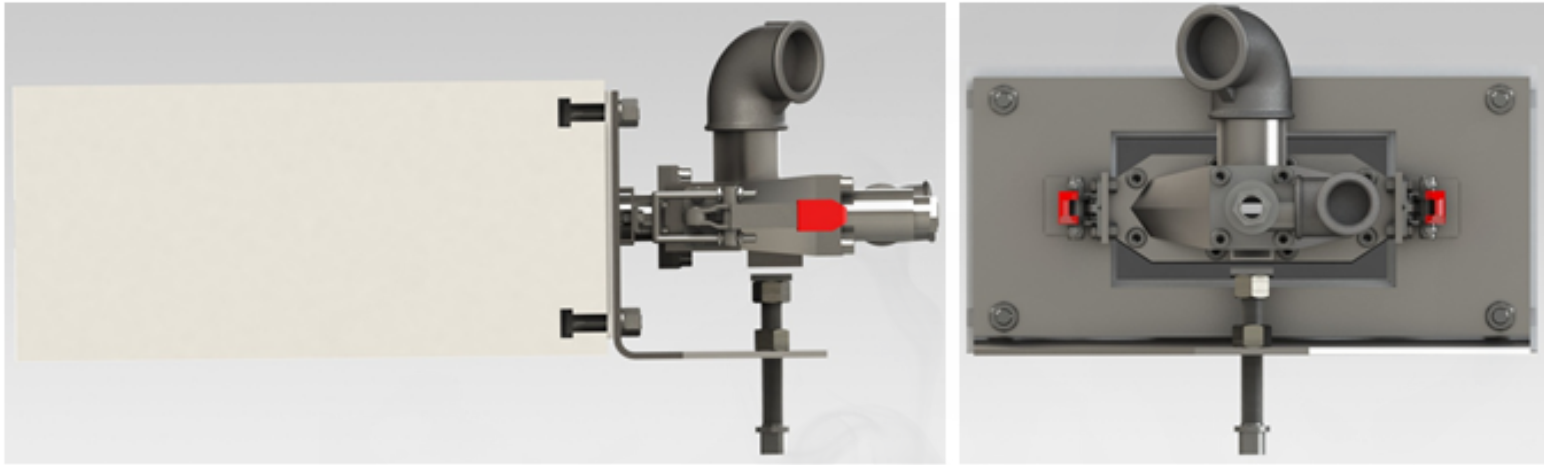
Extremely low velocities of Oxygen and Fuel, creating a low momentum flame which has a low peak flame temperature to improve the radiation to the glass.

In case of an emergency situation, the Flat-fire Oxygen Burner can be quickly removed and replaced by a back-up fuel burner due to burner quick connectors.

The FOB burner is designed for easy maintenance and the possibility to easy change the nozzles for different capacities.

Hotwork and UAS specialised in supply of auxiliary equipment, including full gas control stations, furnace control system (DCS), full automation, exhaust gas analysis and Oxygen probes as well as tuning, supervision and commissioning services worldwide.





Type	Capacity		Velocity m/s	Flame length meters	Flame width meters
	kW	mm BTU/hr			
FOB 50	500	0,5-2,0	15	4,0	1,5
FOB 200	1.200	1,0-4,0	19	4.5	1,6
FOB 500	2.000	2,0-7,0	26	4.8	1,7
FOB 700	2.500	2,0-8,0	33	5.2	1,8
FOB1300	3.000	4,0-10,0	36	5.5	1,8

Features:

Cooling air connection, automatic integration in control system

Ultra Violet Flame sensor connection or sight glass

Turn down rate 4:1

Light weight for easy handling

Quick connections for a fast removal

Exchangeable oxygen and fuel nozzles

Short installation dimensions

Swiss Quality and German Reliability complete engineering and supply



Hotwork International AG
Romanshornestrasse 123
9322 Egnach
Switzerland
Tel.: +4171 649 2090
contact@hotwork.ag
<http://www.hotwork.ag>

Hotwork International Inc.
Cebu, Philippines
Tel.: +63 32 34 13 82 6

Hotwork Solutions Pvt. Ltd.
Baroda, Gujarat, India
+91 (98) 2516 6837

Hotwork International Inc.
Shanghai, China
Tel.: +86 135 60 79 59 96

Partner:
UAS Messtechnik GmbH

